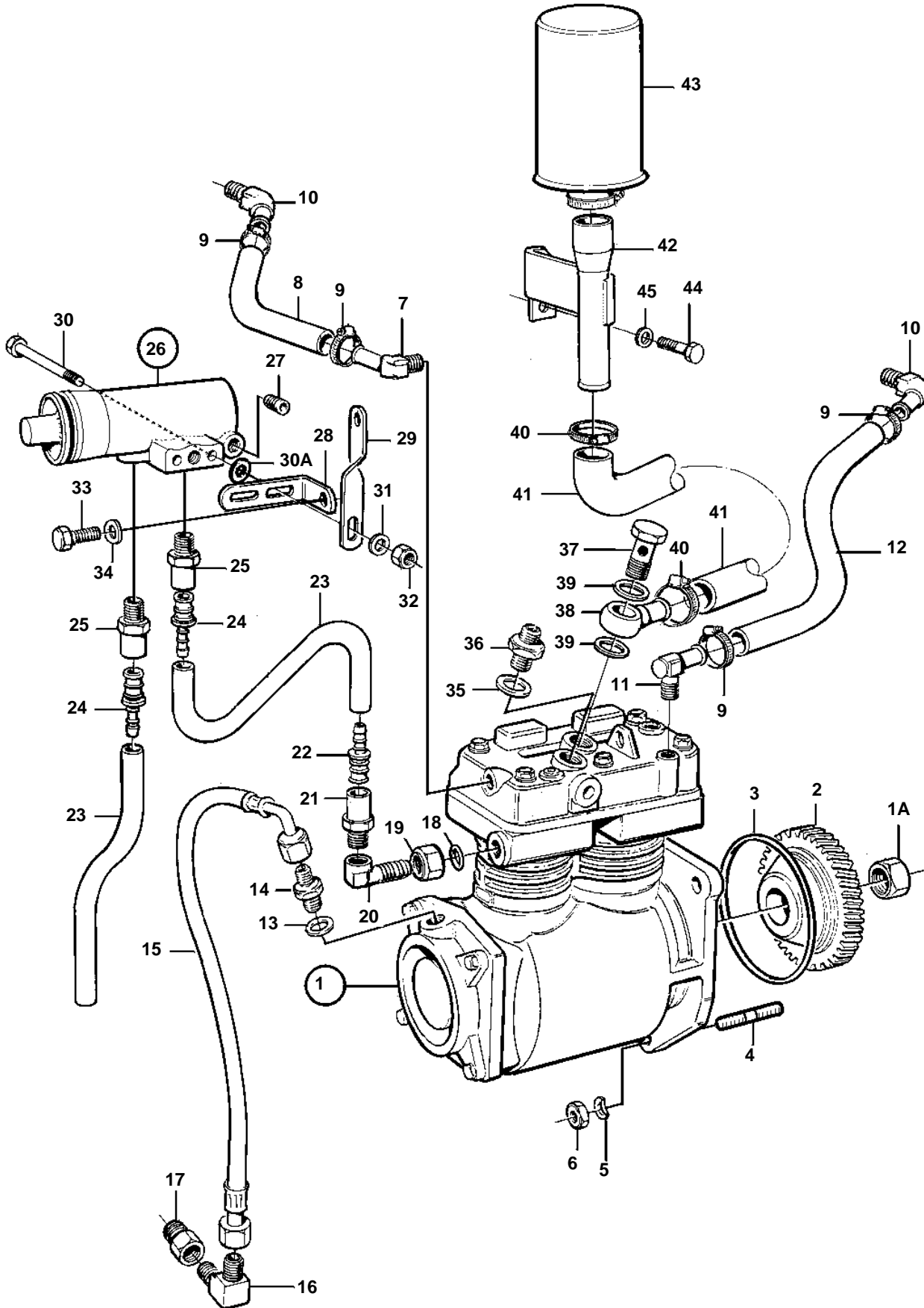


TAD1230P



TAD1230P

REF	PART NO.	QTY	DESCRIPTION	SEE SEC.	NOTES
1	8150407	1	Compressor		
	3803262	1	Compressor, exch		Exchange unit
				1857	
1A	346918	1	· Nut		
2	478777	1	Gear		
3	975610	1	O-ring		
4	953346	3	Stud		
5	941911	3	Spring washer		
6	955828	3	Nut		
7	976553	1	Nipple		
8	946652	X	Hose		L=160mm
9	943472	4	Hose clamp		
10	479975	2	Nipple		
11	979270	1	Nipple		
12	946652	X	Hose		L=240mm
13	957173	1	Gasket		
14	963947	1	Nipple		
15	977651	1	Hose		
16	942376	1	Elbow nipple		
17	835980	1	Nipple		
18	949657	1	O-ring		
19	945895	1	Nut		
20	966434	1	Nipple		
21	968696	1	Fitting		
22	976444	1	Fitting		
23	945460	X	Plastic pipe		
24	976444	2	Fitting		
25	968694	2	Fitting		
26	1505047	1	Regulator		Replaced by regulator 3944252 and 2 ea spacer washer 946048.
				1853	
	3944252	1	Regulator		
				1853	
27	968060	4	Plug		M10
28	965562	1	Bracket		
29	1136551	1	Bracket		
30	955529	2	Screw		
30A	946048	2	Spacer washer		FOR 3944252
31	941907	2	Spring washer		
32	955826	2	Nut		
33	940133	1	Screw		
34	942336	1	Spring washer		
35	947628	1	Gasket		
36	978281	1	Nipple		
37	191620	1	Hollow screw		
38	1598185	1	Nipple		
39	947628	2	Gasket		
40	943474	2	Hose clamp		
41	967553	X	Hose		L=450mm
42	1094583	1	Bracket		
43	8152010	1	Air filter		
44	955525	1	Screw		
45	955894	1	Washer		